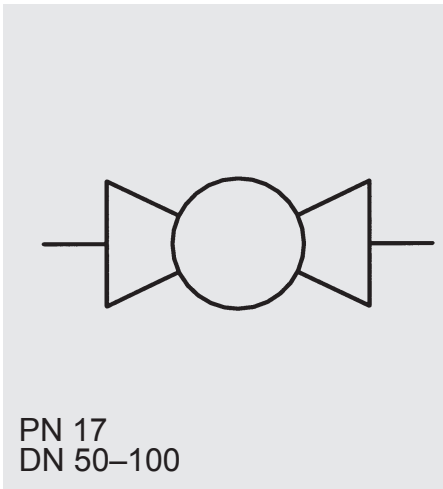
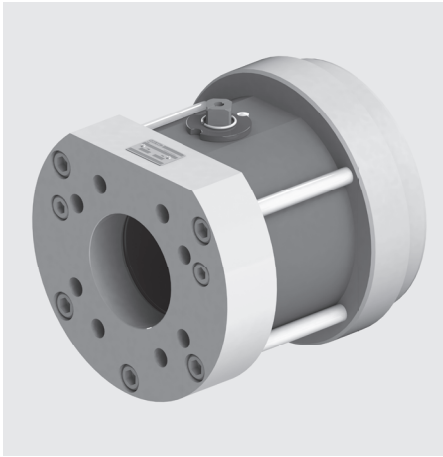


## Butt-weld Flange Ball Valve KHF3S



**Model code**  
(also order example)

**KHF3S 50 41141 09 X SW14**

### Designation

KHF3S = three-part butt-weld flange ball valve

### Nominal bore

DN

### Materials

*Housing, connection adapters*

4 = Aluminium

*Ball, control spindle*

1 = Steel

\*control spindle made from stainless steel

*Rounded seals*

1 = POM

3 = PTFE

*Control spindle seal and connection seal*

4 = FKM (Viton)

*Weld-on ring*

1 = Steel

### Handle

01 = Aluminium clamped handle, straight

02 = Aluminium clamped handle, cranked

03 = Zinc die-cast clamped handle, straight

04 = Zinc die-cast bolt-on handle, cranked

06 = Steel bolt-on handle, cranked

09 = Without handle

26 = Steel bolt-on handle, cranked, long

### Series

(determined by manufacturer)

### AF width

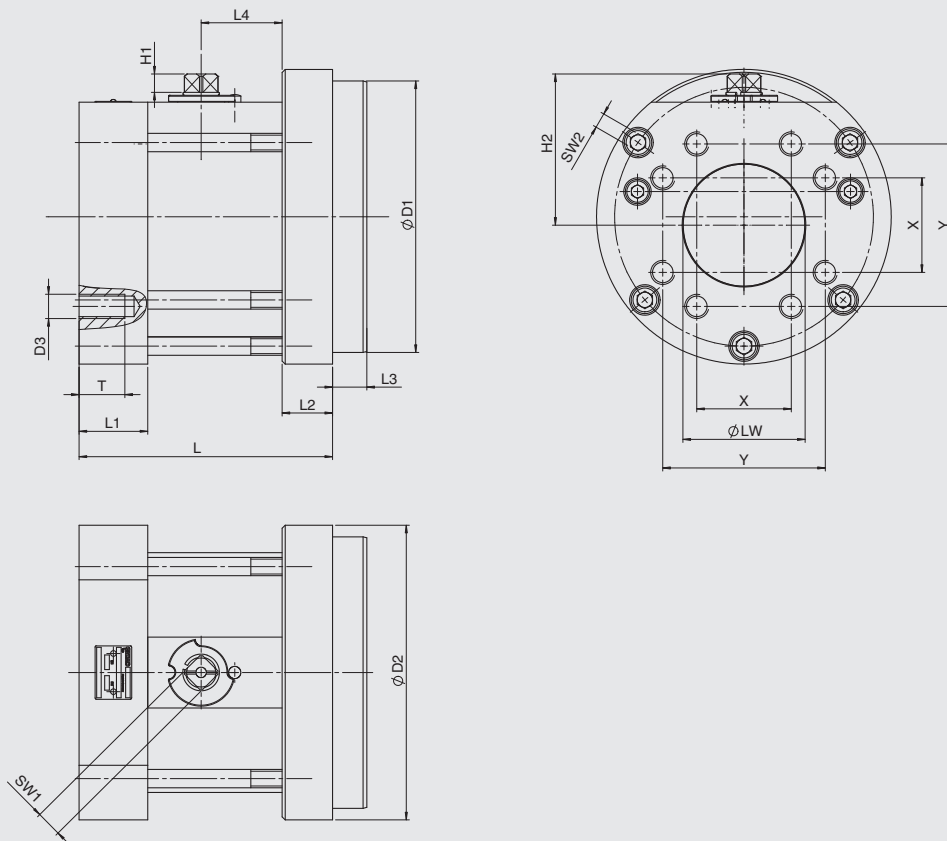
AF width of control spindle

## Technical data

Nominal bore	DN 50 - 100
Nominal pressure	Up to PN 17 / 250 psi
Connection type	Weld-on ring (2"-4" / DN 50 – DN 100) DIN ISO 6162 T1
Mounting position	Optional
Operating media	Hydraulic oil to DIN 51524 Parts 1 and 2 (others on request)
Vacuum	Leakage rate $Q < 3.6 \times 10^{-8}$ mbar <sup>3</sup> /s
Viscosity range	10 to 380 mm <sup>2</sup> /s
Temperature of the medium	-10 °C to +80 °C
Ambient temperature	-10 °C to +80 °C
Accessories	All ball valves can be supplied with the following options on request: - Limit controls - Lock

## Dimensions

KHF3S



Type	DN [mm]	LW [mm]	L [mm]	L1 [mm]	L2 [mm]	L3 [mm]	L4 [mm]	D1 [mm]	D2 [mm]	D3	T [in]	H1 [mm]	H2 [mm]	SW1 [mm]	SW2 [mm]	X [mm]	Y [mm]	Weight [kg]
KHF3S-050	50	48	95	30	8	12.7	29.2	127	139.5	1/2 - 13 UNC	0.825	11.6	70.9	14	6	42.9	77.8	3.89
KHF3S-065	65	65	138	33	24	17.5	41	152.4	164	1/2 - 13 UNC	0.825	12	89.5	17	8	50.8	88.9	9.48
KHF3S-080	80	80	166	45	33	22.5	53	177.8	193	5/8 - 11 UNC	1.181	12	99	17	10	61.9	106.4	15.62
KHF3S-100	100	100	185	45	30	27.7	60	203.2	219	5/8 - 11 UNC	1.181	12	114	17	10	77.8	130.2	21.42

## NOTE

The information in this brochure relates to the operating conditions and applications described. For applications or operating conditions not described, please contact the relevant technical department.

Users bear the responsibility in all cases for determining the product's suitability in the specific application. Quantified values for product characteristics are average values for a new product that undergo a time deterioration process.

Errors and technical changes excepted.

**HYDAC Accessories GmbH**  
Hirschbachstr. 2  
**D-66280 Sulzbach/Saar**  
Tel.: +49 (0)6897 - 509-01  
Fax: +49 (0)6897 - 509-1009  
Internet: [www.hydac.com](http://www.hydac.com)  
e-mail: [info@hydac.com](mailto:info@hydac.com)