

# Pressure reducing valve 500

## Type DMM

NG 4  
up to 30 l/min

### Features

- Leakage free
- With spring chamber relief
- Long economic lifetime

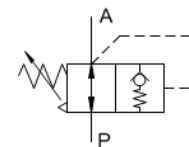


### Design

- Seated valve
- Directly operated
- Cartridge type and in manifold
- External surface zinc-coated
- With optional check valve
- With optional secondary relief valve against overload

### Applications

The pressure reducing valve DMM is a part of the 500+ series. It is directly operated, spring loaded and designed with a leakage free seat. It holds the hydraulic pressure at working port A on a constant value, independently on the flow rate - respectively pressure changes at supply port P. The working port can be optionally protected with a separate pressure relief valve.



### Technical data

Hydraulic fluid	Mineral oil according to DIN 51524 T1+T2 (other fluids on request)
Fluid temperature range	-20 to 120 °C
Ambient temperature range	-20 to 120 °C
Viscosity range	10 to 420 mm <sup>2</sup> /s
Porting	NG 4
Max. operating pressure port P/A	700/450 bar
Pressure setting port A	50 to 450 bar
Pressure setting range of the optional pressure protection	50 to 500 bar
Max. flow rate	30 l/min
Filtration (recommendation)	ISO/DIN 4406 class 21/19/16
Weight	0.9 kg (cartridge)
Materials	Cartridge body: high tensile steel Cone: hardened steel Supporting ring: PTFE

## Ordering code

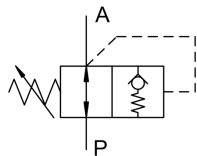
<b>Example</b>	<b>DM</b>	<b>M</b>	<b>4B</b>	<b>X</b>	<b>450</b>	<b>V</b>	<b>A</b>	<b>00</b>
<b>Pressure reducing valve</b>								
<b>Type</b>	500+							
<b>Port size</b>	4							
<b>Cartridge</b>	...E							
<b>Connection Bieri</b>	...B							
<b>Connection in-line</b>	...R							
<b>Design</b>								
<b>X</b>	Cartridge							
<b>In manifold for valve bank</b>								
<b>V</b>	for valve bank (V)							
<b>VRV</b>	for V with check valve (RV)							
<b>VDV</b>	for V with pressure relief valve (DV)							
<b>VDVRV</b>	for V with RV and DV							
<b>In-line mounting</b>								
<b>G1/4</b>	size G1/4							
<b>G3/8</b>	size G3/8							
<b>G3/8RV</b>	size G3/8 with RV							
<b>G1/4DV</b>	size G1/4 with DV							
<b>G3/8DV</b>	size G3/8 with RV							
<b>G3/8DVRV</b>	size G3/8 with RV + DV							
<b>Max. pressure setting</b>	450 bar							
<b>Seals</b>	V [FPM] other materials on request							
								<b>special design</b> 01 ... 99 (00 for standard)
								<b>Part index</b> Please leave blank (small letters a-d; different letters do not effect interchangeability)
								<b>Desing revision</b> Capital letters A-Z; identical letters equal same connecting dimensions

**Product information**

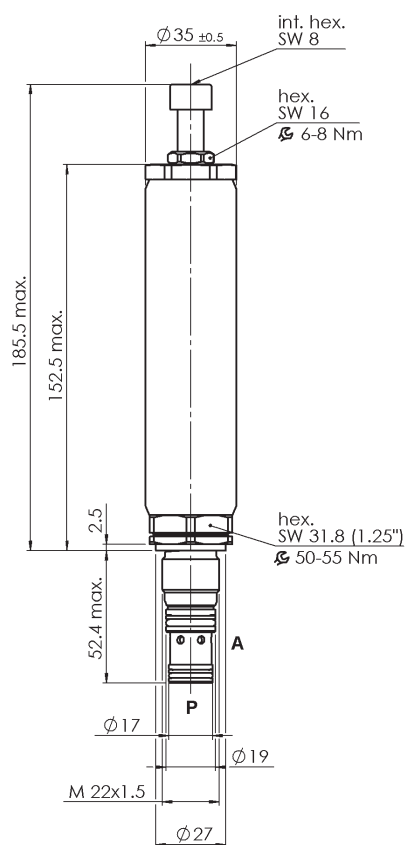
**Cartridge**

Type	Part number
DMM-4E-X-450-V-A*00	4001225

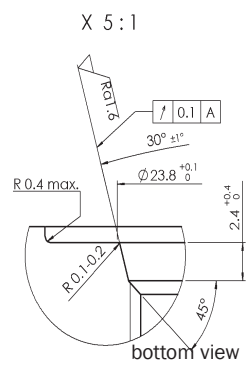
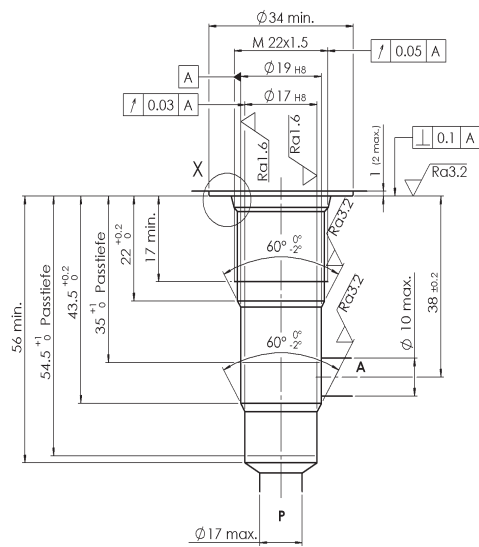
**Hydraulic schematics**



**Dimensional drawing**



**Dimensional & cavity drawing**



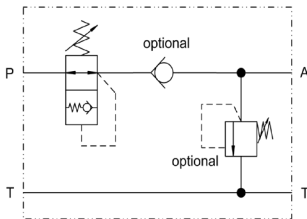
## Type DMM

NG 4  
up to 30 l/min

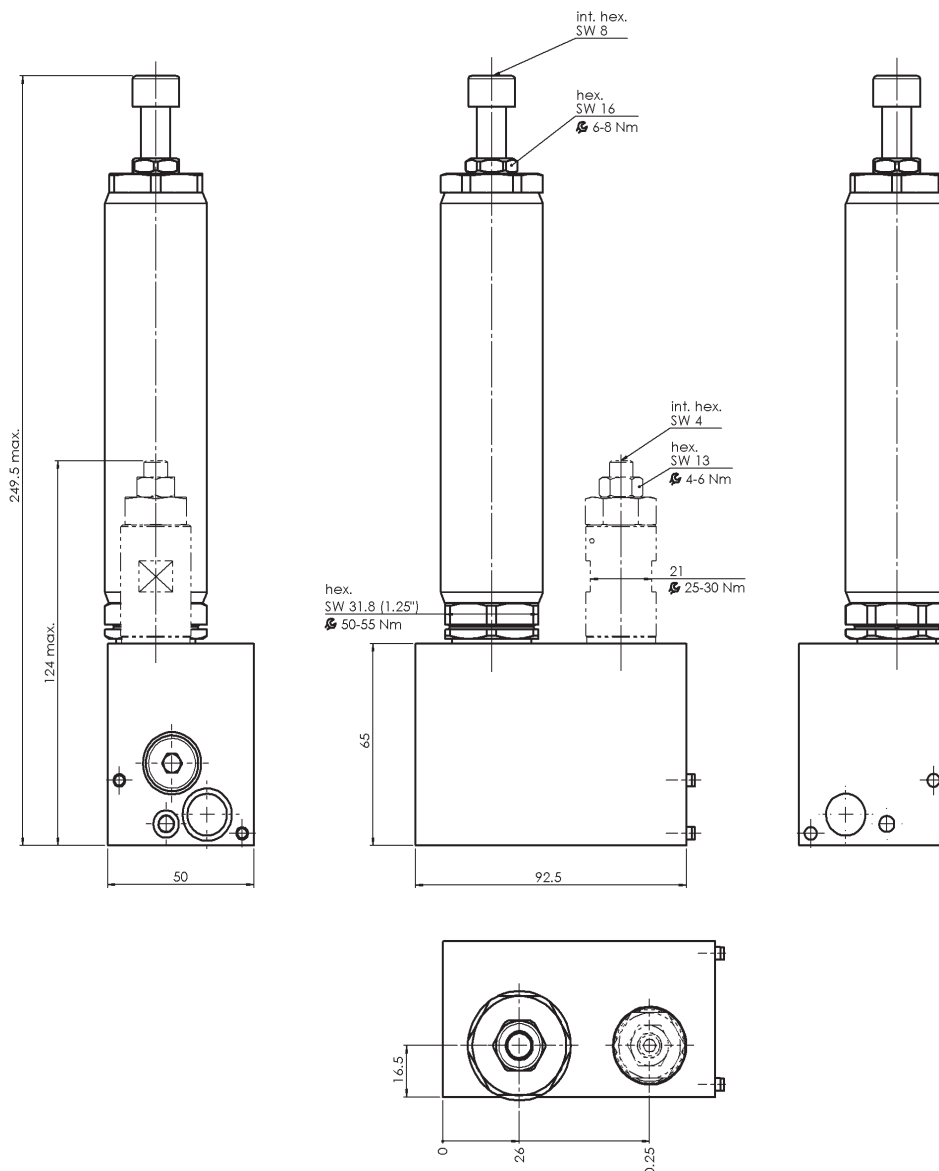
### In manifold for valve bank

Type	Part number
DMM-4B-V-450-V-A*00	3830721
DMM-4B-VRV-450-V-A*00	3830724
DMM-4B-VDV-450-V-A*00	3830748
DMM-4B-VDVRV-450-V-A*00	3830753

### Hydraulic schematics



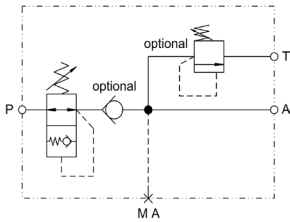
### Dimensional drawing



**In-line manifold**

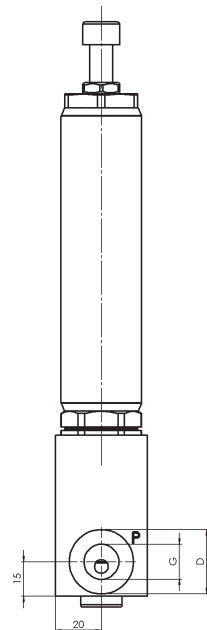
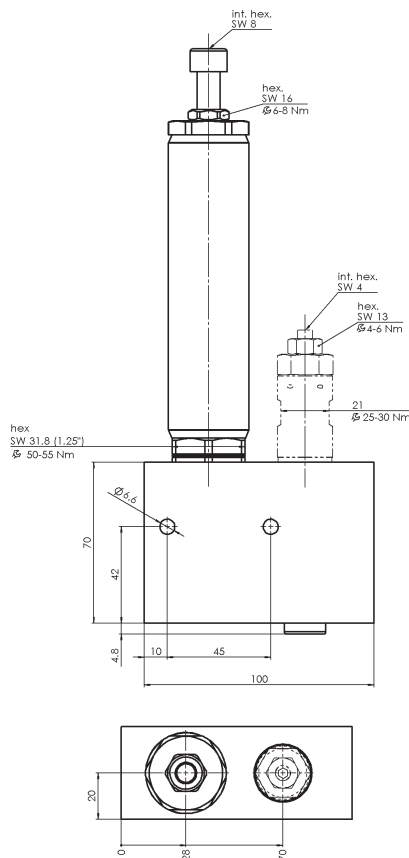
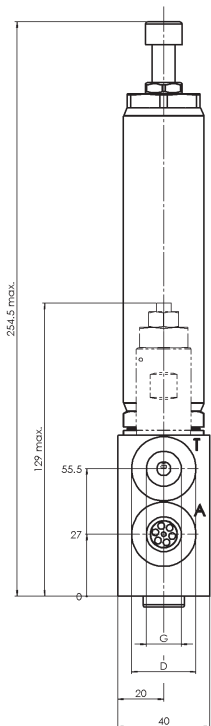
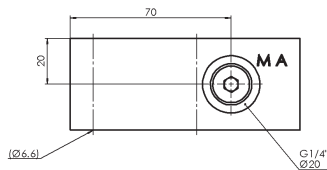
Type	Part number
DMM-4R-G1/4-450-V-A*00	3830722
DMM-4R-G3/8-450-V-A*00	3830723
DMM-4R-G3/8RV-450-V-A*00	3830747
DMM-4R-G1/4DV-450-V-A*00	3830749
DMM-4R-G3/8DV-450-V-A*00	3830752
DMM-4R-G3/8DVRV-450-V-A*00	3830756

**Hydraulic schematics**



**Dimensional drawing**

G	D
G 3/8"	Ø 23
G 1/4"	Ø 20



## Characteristics

