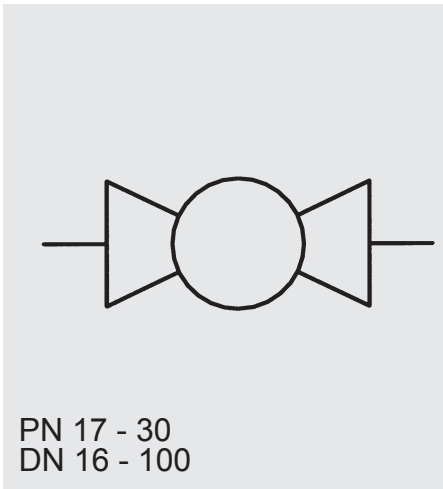
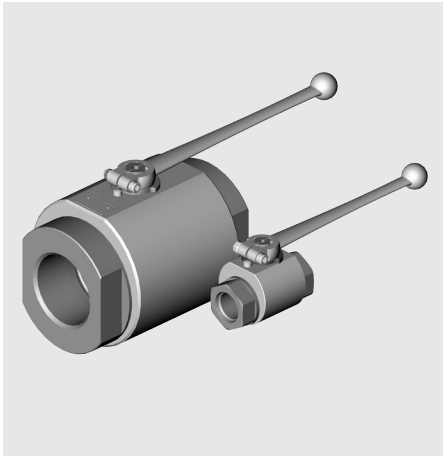


## Low Pressure Ball Valve KHR



**Model code**  
(also order example)

KHR G 11/4 4112 09 X ...

### Designation

KHR = Ball valve, round design

### Type of connection

Thread size or outside diameter

### Materials

*Housing, connection adapters*

4 = Aluminium

*Ball, control spindle*

1 = Steel

3 = Stainless steel

*Sealing cups*

1 = POM

3 = PTFE

*Control spindle seal and connection seal*

2 = NBR (Perbunan)

4 = FKM (Viton)

### Handle

01 = Aluminium clamped handle, straight

02 = Aluminium clamped handle, cranked

03 = Zinc die-cast clamped handle, straight

04 = Zinc die-cast bolt-on handle, cranked

06 = Steel bolt-on handle, cranked

09 = Without handle

26 = Steel bolt-on handle, cranked, long

### Series

(determined by manufacturer)

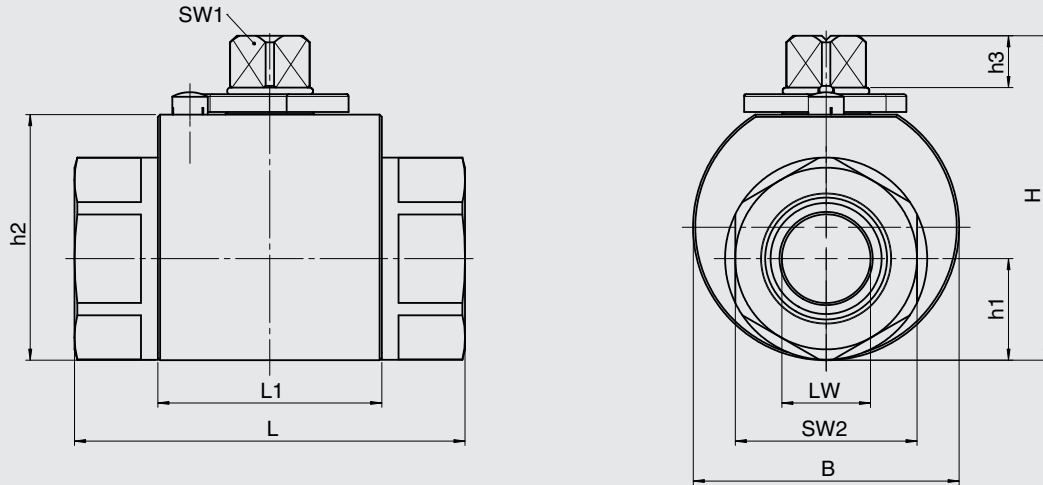
### Options

SO760 = Can be locked in open and closed switching position using padlock  
Padlock not supplied

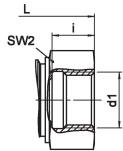
E-1.000 = Limit switch to DIN EN 50041 - type A  
Monitoring of ball valve in open position

# Dimensions

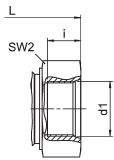
KHR



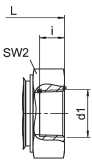
Connection type	Type	DN [mm]	LW [mm]	d1	i [mm]	L [mm]	L1 [mm]	B [mm]	H [mm]	h1 [mm]	h2 [mm]	h3 [mm]	SW1 [mm]	SW2 [mm]	Weight [kg]	PN [bar]
DIN ISO 228 Female pipe thread	KHR-G1/2	16	16	G1/2	16	78	42	50	61.7	18.5	44.5	11	12	32	0.36	30
	KHR-G3/4	20	20	G3/4	18	92.6	50.5	60	73.2	22.9	55.4	11.6	14	41	0.66	30
	KHR-G1	25	25	G1	20.5	102.7	54.5	70	80.1	27	62.5	11.6	14	46	0.90	30
	KHR-G11/4	32	32	G11/4	22	102	64	85	98.1	32.9	79.6	12	17	55	1.47	30
	KHR-G11/2	40	38	G11/2	24	110	73	95	109.7	38.5	91.2	12	17	65	2.05	30
	KHR-G2	50	48	G2	28	131	74	115	127.7	49	109.2	12	17	85	3.41	30
	KHR-G21/2	65	65	G21/2	35	183	125	139	153	63.5	134.5	12	17	100	6.31	17
	KHR-G3	80	80	G3	35	190	120	159	174.5	75.5	156	12	17	120	9.69	17
KHR-G4	100	100	G4	40	230	150	188	204.5	90.5	186	12	17	140	15.14	17	



Connection type	Type	DN [mm]	LW [mm]	d1	i [mm]	L [mm]	L1 [mm]	B [mm]	H [mm]	h1 [mm]	h2 [mm]	h3 [mm]	SW1 [mm]	SW2 [mm]	Weight [kg]	PN [bar]
SAE J 514 UN/UNF Female thread	KHR-16SAE	16	16	3/4 - 16 UNF	15	68	42	50	61.7	18.5	44.5	11	12	32	0.53	30
	KHR-20SAE	20	20	1 1/16 - 12 UN	20	88.1	50.5	60	73.2	22.9	55.4	11.6	14	41	0.58	30
	KHR-25SAE	25	25	1 5/16 - 12 UN	20	92.7	54.5	70	80.1	27	62.5	11.6	14	46	0.77	30
	KHR-32SAE	32	30	1 5/8 - 12 UN	20	102	64	85	98.1	32.9	79.6	12	17	55	1.36	30
	KHR-40SAE	40	38	1 7/8 - 12 UN	20	110	73	95	109.7	38.5	91.2	12	17	65	1.89	30
	KHR-50SAE	50	48	2 1/2 - 12 UN	20	125	74	115	127.7	49	109.2	12	17	85	3.36	30
	KHR-65SAE	65	65	3 - 12 UN	25.5	183	125	139	153	63.5	134.5	12	17	100	6.65	17
	KHR-80SAE	80	80	3 1/2 - 12UN	25.5	190	120	159	174.5	75.5	156	12	17	120	9.41	17
KHR-100SAE	100	100	4 1/2 - 12 UN	25.5	230	150	188	204.5	90.5	186	12	17	140	15.64	17	



Connection type	Type	DN [mm]	LW [mm]	d1	i [mm]	L [mm]	L1 [mm]	B [mm]	H [mm]	h1 [mm]	h2 [mm]	h3 [mm]	SW1 [mm]	SW2 [mm]	Weight [kg]	PN [bar]
ANSI B1.20.1 NPT female thread	KHR-16NPT	16	16	1/2 - 14 NPT	13.56	68	42	50	61.7	18.5	44.5	11	12	32		30
	KHR-20NPT	20	20	3/4 - 14 NPT	13.86	88.1	50.5	60	73.2	22.9	55.4	11.6	14	41		30
	KHR-25NPT	25	25	1 - 11 1/2 NPT	17.34	92.7	54.5	70	80.1	27	62.5	11.6	14	46		30
	KHR-32NPT	32	30	1 1/4 - 11 1/2 NPT	17.95	102	64	85	98.1	32.9	79.6	12	17	55		30
	KHR-40NPT	40	38	1 1/2 - 11 1/2 NPT	18.38	110	73	95	109.7	38.5	91.2	12	17	65		30
	KHR-50NPT	50	48	2 - 11 1/2 NPT	19.22	125	74	115	127.7	49	109.2	12	17	85		30
	KHR-65NPT	65	65	2 1/2 - 8 NPT	28.9	183	125	139	153	63.5	134.5	12	17	100	6.42	17
	KHR-80NPT	80	80	3 - 8 NPT	30.48	190	120	159	174.5	75.5	156	12	17	120	9.78	17
KHR-100NPT	100	100	4 - 8 NPT	33.02	230	150	188	204.5	90.5	186	12	17	140	15.32	17	



## Technical specifications

Type of construction:	Round version
Types of connection:	Whitworth female thread to ISO 228 NPT SAE
Mounting position:	Optional
Ambient temperature:	-10 °C to +80 °C
Nominal pressure:	Up to PN 30
Operating fluids:	Hydraulic oil to DIN 51524 Part 1 and Part 2 (other fluids on request)
Temperature of operating fluid:	-10 °C to +80 °C
Type of construction:	Shut-off device is a ball
Weight:	See table
Flow direction:	No restrictions
Spare parts:	Seal kits available on request
Accessories:	All ball valves can be supplied with the following options: Actuator Limit controls Lock

## NOTE

The information in this brochure relates to the operating conditions and applications described. For applications and operating conditions not described, please contact the relevant technical department.

The operator is always responsible for determining the product suitability for the specific application. Quantified values for product characteristics are average values for a new product that undergo a time deterioration process.

Subject to technical modifications and errors.

**HYDAC Accessories GmbH**  
Hirschbachstr. 2  
**66280 Sulzbach/Saar**  
Tel.: +49 (0)6897 - 509-01  
Fax: +49 (0)6897 - 509-1009  
Internet: [www.hydac.com](http://www.hydac.com)  
e-mail: [info@hydac.com](mailto:info@hydac.com)